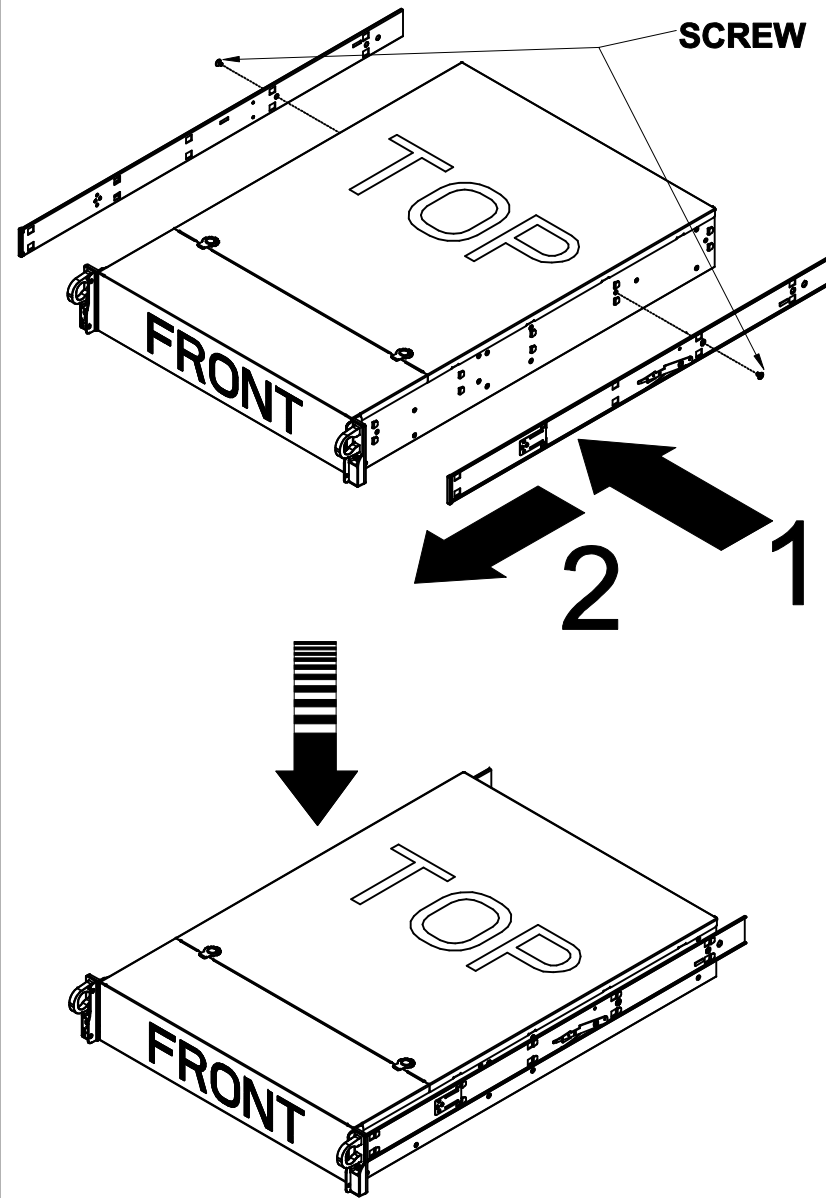


A.

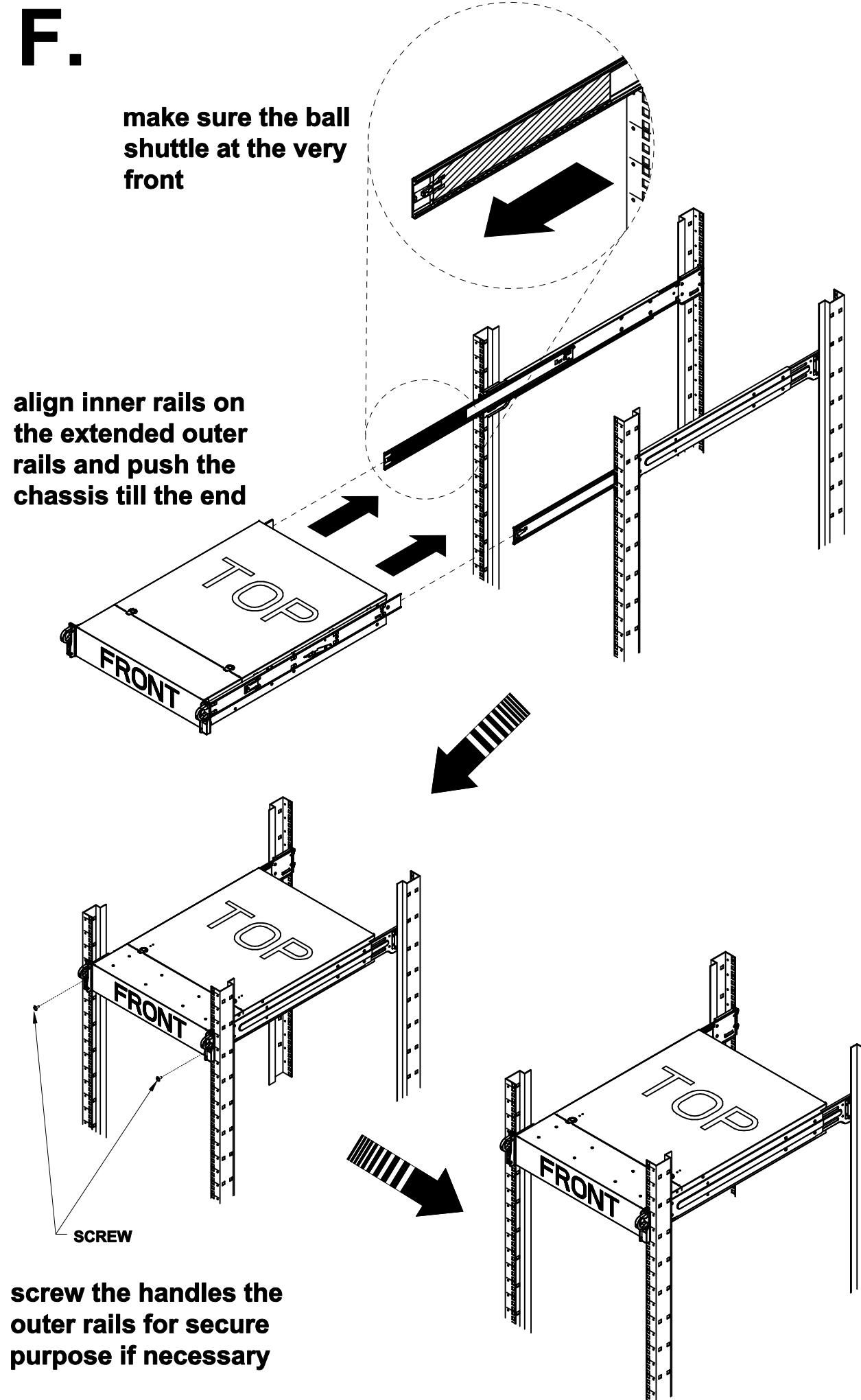


B.

F.

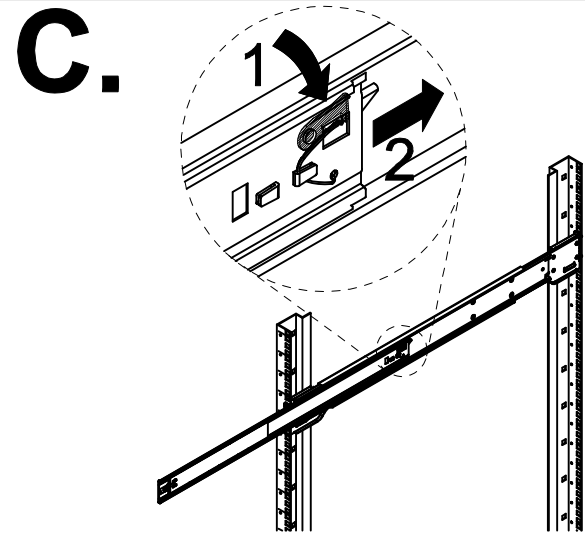
make sure the ball shuttle at the very front

align inner rails on the extended outer rails and push the chassis till the end

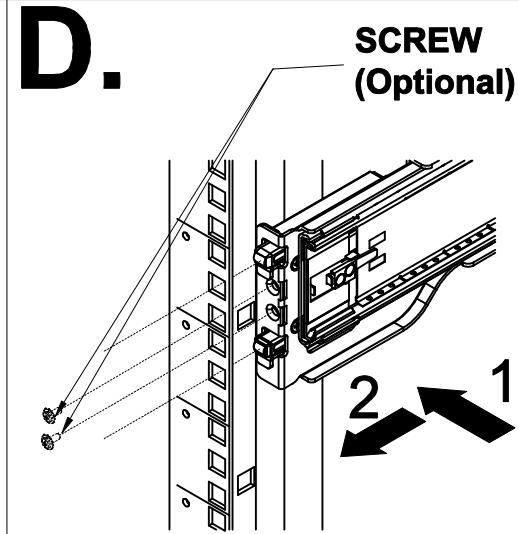


screw the handles the outer rails for secure purpose if necessary

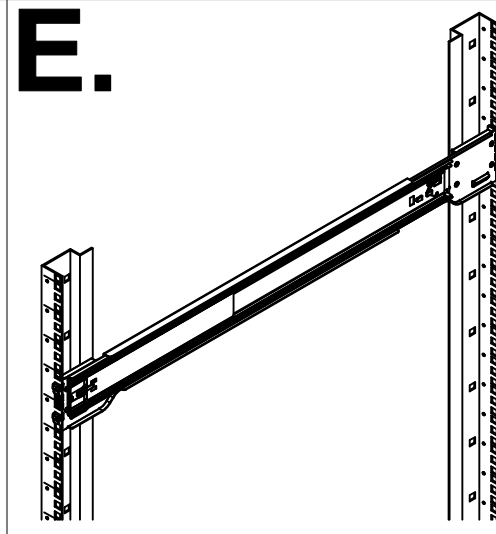
COMPLETE



press the button to retreat the outer rails



hang the hooks of rails into rack holes screw the rails if necessary



repeat step D to mount four corners (extended if necessary)