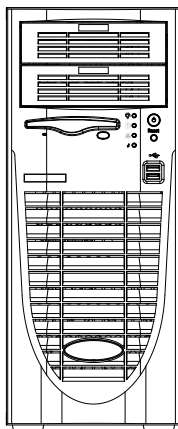
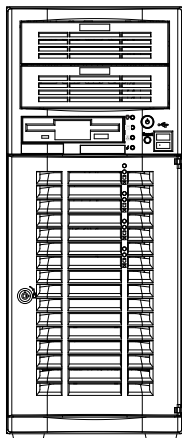


SUPERO®

SC733 CHASSIS SERIES



SC733i-665B
SC733TQ-500B
SC733i-500B
SC733TQ-465B
SC733i-465(B)

SC733TQ-665B
SC733T-500B
SC733E-500B
SC733T-465B
SC733E-465B

USER'S MANUAL

The information in this User's Manual has been carefully reviewed and is believed to be accurate. The vendor assumes no responsibility for any inaccuracies that may be contained in this document, makes no commitment to update or to keep current the information in this manual, or to notify any person or organization of the updates. **Please Note: For the most up-to-date version of this manual, please see our web site at www.supermicro.com.**

Super Micro Computer, Inc. ("Supermicro") reserves the right to make changes to the product described in this manual at any time and without notice. This product, including software and documentation, is the property of Supermicro and/or its licensors, and is supplied only under a license. Any use or reproduction of this product is not allowed, except as expressly permitted by the terms of said license.

IN NO EVENT WILL SUPERMICRO BE LIABLE FOR DIRECT, INDIRECT, SPECIAL, INCIDENTAL, SPECULATIVE OR CONSEQUENTIAL DAMAGES ARISING FROM THE USE OR INABILITY TO USE THIS PRODUCT OR DOCUMENTATION, EVEN IF ADVISED OF THE POSSIBILITY OF SUCH DAMAGES. IN PARTICULAR, SUPERMICRO SHALL NOT HAVE LIABILITY FOR ANY HARDWARE, SOFTWARE, OR DATA STORED OR USED WITH THE PRODUCT, INCLUDING THE COSTS OF REPAIRING, REPLACING, INTEGRATING, INSTALLING OR RECOVERING SUCH HARDWARE, SOFTWARE, OR DATA.

Any disputes arising between manufacturer and customer shall be governed by the laws of Santa Clara County in the State of California, USA. The State of California, County of Santa Clara shall be the exclusive venue for the resolution of any such disputes. Super Micro's total liability for all claims will not exceed the price paid for the hardware product.

California Best Management Practices Regulations for Perchlorate Materials: This Perchlorate warning applies only to products containing CR (Manganese Dioxide) Lithium coin cells. "Perchlorate Material-special handling may apply. See www.dtsc.ca.gov/hazardouswaste/perchlorate"

WARNING: Handling of lead solder materials used in this product may expose you to lead, a chemical known to the State of California to cause birth defects and other reproductive harm.

Manual Revision 2.0
Release Date: November 7, 2013

Unless you request and receive written permission from Super Micro Computer, Inc., you may not copy any part of this document.

Information in this document is subject to change without notice. Other products and companies referred to herein are trademarks or registered trademarks of their respective companies or mark holders.

Copyright © 2013 by Super Micro Computer, Inc.
All rights reserved.

Printed in the United States of America

Preface

About This Manual

This manual is written for professional system integrators and PC technicians. It provides information for the installation and use of the SC733 chassis. Installation and maintenance should be performed by experienced technicians only.

Supermicro's SC733 chassis features a unique and highly-optimized design for Intel and AMD platforms. The chassis is equipped with a 465W, 500W, or 665W high-efficiency power supply for superb power savings.

This document lists compatible parts available when this document was published. Always refer to the our Web site for updates on supported parts and configurations.

Manual Organization

Chapter 1: Introduction

The first chapter provides a checklist of the main components included with this chassis and describes the main features of the SC733 chassis. This chapter also includes contact information.

Chapter 2: Standardized Warning Statements for AC/DC Systems

This chapter lists warnings, precautions, and system safety. It is recommended that you thoroughly familiarize yourself installing and servicing this chassis safety precautions.

Chapter 3: System Interface

Refer to this chapter for details on the system interface, which includes the functions and information provided by the control panel on the chassis as well as other LEDs located throughout the system.

Chapter 4: Chassis Setup and Maintenance

Follow the procedures given in this chapter when installing, removing, or reconfiguring your chassis.

Appendices

This section lists compatible cables, power supply specifications, and compatible backplanes. Not all compatible backplanes are listed. Refer to our Web site for the latest compatible backplane information.

Appendix A: Chassis Cables

Appendix B: Power Supply Specifications

Appendix C: SAS-733TQ Backplane Specifications

Appendix D: SATA-733 Backplane Specifications

Table of Contents

Chapter 1 Introduction

1-1	Overview	1-1
1-2	Shipping List.....	1-1
1-3	Where to get Replacement Components.....	1-2
1-4	Contacting Supermicro.....	1-3
1-5	Returning Merchandise for Service.....	1-4

Chapter 2 Standardized Warning Statements for DC Systems

2-1	About Standardized Warning Statements.....	2-1
	Warning Definition	2-1
	Installation Instructions.....	2-4
	Circuit Breaker	2-5
	Power Disconnection Warning	2-6
	Equipment Installation.....	2-8
	Restricted Area.....	2-9
	Battery Handling.....	2-10
	Redundant Power Supplies	2-12
	Backplane Voltage	2-13
	Comply with Local and National Electrical Codes	2-14
	Product Disposal	2-15
	Hot Swap Fan Warning.....	2-16
	DC Power Supply	2-18
	DC Power Disconnection	2-20
	Hazardous Voltage or Energy Present on DC Power Terminals.....	2-21

Chapter 3 System Interface

3-1	Overview	3-1
3-2	Control Panel Buttons	3-2
3-3	Control Panel LEDs	3-2

Chapter 4 Chassis Setup and Maintenance

4-1	Overview	4-1
4-2	Removing the Chassis Cover	4-2
4-3	Installing Hard Drives in the SC733i Model Chassis.....	4-3
4-4	Installing Hard Drives in the SC733T and SC733TQ.....	4-5
4-5	Installing a Peripheral Drive.....	4-8

4-6	Installing the Motherboard, I/O Shield and Standoffs.....	4-9
	I/O Shield	4-9
	Permanent and Optional Standoffs.....	4-10
	Motherboard Installation.....	4-11
4-7	Installing Expansion Cards	4-12
	PCI Slot Setup	4-12
4-8	Removing the Fan Duct and System Fan	4-13
4-9	Checking the Server's Airflow	4-14
4-10	Power Supply	4-15

Appendix A Cables, Screws, and other Accessories

Appendix B SC733 Power Supply Specifications

Appendix C SAS-733TQ Backplane Specifications

Appendix D SATA-733 Backplane Specifications

Chapter 1

Introduction

1-1 Overview

Blending ease of use and practicality, the SC733 mid-tower chassis is the ideal chassis for use at home or office. The ultra-quiet thermal fans ensure a noise-free operating environment.

1-2 Shipping List

Please visit the Supermicro web site for the latest shipping lists and part numbers for your particular chassis model at www.supermicro.com.

SC733 Chassis			
Model	HDD	I/O Slots	Power Supply
SC733i-665B	4x SAS/SATA	7x FF	665W Super Quiet
SC733TQ-665B	4x SAS/SATA	7x FF	665W Super Quiet
SC733TQ-500(B)	4x SAS/SATA	7x FF	500W
SC733T-500B	4x SAS/SATA	7x FF	500W
SC733i-500B	4x SAS/SATA	7x FF	500W
SC733E-500B	4x SAS/SATA	7x FF	500W
SC733TQ-465B	4x SAS/SATA	7x FF	465W Low-Noise
SC733T-465B	4x SAS/SATA	7x FF	465W Low-Noise
SC733i-465B	4x SAS/SATA	7x FF	465W Low-Noise
SC733E-465B	4x SAS/SATA	7x FF	465W Low-Noise

FF: Full-height, full-length

1-3 Where to get Replacement Components

Though not frequently, you may need replacement parts for your system. To ensure the highest level of professional service and technical support, we strongly recommend purchasing exclusively from our Supermicro Authorized Distributors/System Integrators/Resellers. A list of Supermicro Authorized Distributors/System Integrators/Reseller can be found at: <http://www.supermicro.com>. Click the Where to Buy link.

1-4 Contacting Supermicro

Headquarters

Address: Super Micro Computer, Inc.
980 Rock Ave.
San Jose, CA 95131 U.S.A.

Tel: +1 (408) 503-8000

Fax: +1 (408) 503-8008

Email: marketing@supermicro.com (General Information)
support@supermicro.com (Technical Support)

Web Site: www.supermicro.com

Europe

Address: Super Micro Computer B.V.
Het Sterrenbeeld 28, 5215 ML
's-Hertogenbosch, The Netherlands

Tel: +31 (0) 73-6400390

Fax: +31 (0) 73-6416525

Email: sales@supermicro.nl (General Information)
support@supermicro.nl (Technical Support)
rma@supermicro.nl (Customer Support)

Asia-Pacific

Address: Super Micro Computer, Inc.
3F, No. 150, Jian 1st Rd.
Zhonghe Dist., New Taipei City 23511
Taiwan (R.O.C)

Tel: +886-(2) 8226-3990

Fax: +886-(2) 8226-3992

Web Site: www.supermicro.com.tw

Technical Support:

Email: support@supermicro.com.tw

Tel: +886-(2)-8226-3990

1-5 Returning Merchandise for Service

A receipt or copy of your invoice marked with the date of purchase is required before any warranty service will be rendered. You can obtain service by calling your vendor for a Returned Merchandise Authorization (RMA) number. When returning to the manufacturer, the RMA number should be prominently displayed on the outside of the shipping carton, and mailed prepaid or hand-carried. Shipping and handling charges will be applied for all orders that must be mailed when service is complete.

For faster service, RMA authorizations may be requested online (<http://www.supermicro.com/support/rma/>).

Whenever possible, repack the chassis in the original Supermicro carton, using the original packaging material. If these are no longer available, be sure to pack the chassis securely, using packaging material to surround the chassis so that it does not shift within the carton and become damaged during shipping.

This warranty only covers normal consumer use and does not cover damages incurred in shipping or from failure due to the alteration, misuse, abuse or improper maintenance of products.

During the warranty period, contact your distributor first for any product problems.

Chapter 2

Standardized Warning Statements for DC Systems

2-1 About Standardized Warning Statements

The following statements are industry standard warnings, provided to warn the user of situations which have the potential for bodily injury. Should you have questions or experience difficulty, contact Supermicro's Technical Support department for assistance. Only certified technicians should attempt to install or configure components.

Read this appendix in its entirety before installing or configuring components in the Supermicro chassis.

These warnings may also be found on our web site at http://www.supermicro.com/about/policies/safety_information.cfm.

Warning Definition



Warning!

This warning symbol means danger. You are in a situation that could cause bodily injury. Before you work on any equipment, be aware of the hazards involved with electrical circuitry and be familiar with standard practices for preventing accidents.

警告の定義

この警告サインは危険を意味します。

人身事故につながる可能性がありますので、いずれの機器でも動作させる前に、電気回路に含まれる危険性に注意して、標準的な事故防止策に精通して下さい。

此警告符号代表危險。

您正处于可能受到严重伤害的工作环境中。在您使用设备开始工作之前，必须充分意识到触电的危险，并熟练掌握防止事故发生的标准工作程序。请根据每项警告结尾的声明号码找到此设备的安全性警告说明的翻译文本。

此警告符號代表危險。

您正處於可能身體可能會受損傷的工作環境中。在您使用任何設備之前，請注意觸電的危險，並且要熟悉預防事故發生的標準工作程序。請依照每一注意事項後的號碼找到相關的翻譯說明內容。

Warnung

WICHTIGE SICHERHEITSHINWEISE

Dieses Warnsymbol bedeutet Gefahr. Sie befinden sich in einer Situation, die zu Verletzungen führen kann. Machen Sie sich vor der Arbeit mit Geräten mit den Gefahren elektrischer Schaltungen und den üblichen Verfahren zur Vorbeugung vor Unfällen vertraut. Suchen Sie mit der am Ende jeder Warnung angegebenen Anweisungsnummer nach der jeweiligen Übersetzung in den übersetzten Sicherheitshinweisen, die zusammen mit diesem Gerät ausgeliefert wurden.

BEWAHREN SIE DIESE HINWEISE GUT AUF.

INSTRUCCIONES IMPORTANTES DE SEGURIDAD

Este símbolo de aviso indica peligro. Existe riesgo para su integridad física. Antes de manipular cualquier equipo, considere los riesgos de la corriente eléctrica y familiarícese con los procedimientos estándar de prevención de accidentes. Al final de cada advertencia encontrará el número que le ayudará a encontrar el texto traducido en el apartado de traducciones que acompaña a este dispositivo.

GUARDE ESTAS INSTRUCCIONES.

IMPORTANTES INFORMATIONS DE SÉCURITÉ

Ce symbole d'avertissement indique un danger. Vous vous trouvez dans une situation pouvant entraîner des blessures ou des dommages corporels. Avant de travailler sur un équipement, soyez conscient des dangers liés aux circuits électriques et familiarisez-vous avec les procédures couramment utilisées pour éviter les accidents. Pour prendre connaissance des traductions des avertissements figurant dans les consignes de sécurité traduites qui accompagnent cet appareil, référez-vous au numéro de l'instruction situé à la fin de chaque avertissement.

CONSERVEZ CES INFORMATIONS.

תקנת הצהרות אזהרה

הצהרות הבאות הן אזהרות על פי תקני התעשייה, על מנת להזהיר את המשתמש מפני חבלה פיזית אפשרית. במידה ויש שאלות או היתקלות בבעיה כלשהי, יש ליצור קשר עם מחלקת תמיכה טכנית של סופרמיקרו. טכנאים מוסמכים בלבד רשאים להתקין או להגדיר את הרכיבים.

יש לקרוא את הנספח במלוואו לפני התקנת או הגדרת הרכיבים במארוזי סופרמיקרו.

تحذير! هذا الرمز يعني خطر انك في حالة يمكن أن تتسبب في اصابة جسدية .
قبل أن تعمل على أي معدات، كن على علم بالمخاطر الناجمة عن الدوائر
الكهربائية
وكن على دراية بالممارسات الوقائية لمنع وقوع أي حوادث
استخدم رقم البيان المنصوص في نهاية كل تحذير للعثور ترجمتها

안전을 위한 주의사항

경고!

이 경고 기호는 위험이 있음을 알려 줍니다. 작업자의 신체에 부상을 야기 할 수 있는 상태에 있게 됩니다. 모든 장비에 대한 작업을 수행하기 전에 전기회로와 관련된 위험요소들을 확인하시고 사전에 사고를 방지할 수 있도록 표준 작업절차를 준수해 주시기 바랍니다.

해당 번역문을 찾기 위해 각 경고의 마지막 부분에 제공된 경고문 번호를 참조하십시오

BELANGRIJKE VEILIGHEIDSINSTRUCTIES

Dit waarschuwings symbool betekent gevaar. U verkeert in een situatie die lichamelijk letsel kan veroorzaken. Voordat u aan enige apparatuur gaat werken, dient u zich bewust te zijn van de bij een elektrische installatie betrokken risico's en dient u op de hoogte te zijn van de standaard procedures om ongelukken te voorkomen. Gebruik de nummers aan het eind van elke waarschuwing om deze te herleiden naar de desbetreffende locatie.

BEWAAR DEZE INSTRUCTIES

Installation Instructions



Warning!

Read the installation instructions before connecting the system to the power source.

設置手順書

システムを電源に接続する前に、設置手順書をお読み下さい。

警告

将此系统连接电源前，请先阅读安装说明。

警告

將系統與電源連接前，請先閱讀安裝說明。

Warnung

Vor dem Anschließen des Systems an die Stromquelle die Installationsanweisungen lesen.

¡Advertencia!

Lea las instrucciones de instalación antes de conectar el sistema a la red de alimentación.

Attention

Avant de brancher le système sur la source d'alimentation, consulter les directives d'installation.

יש לקרוא את הוראות התקנה לפני חיבור המערכת למקור מתח.

أقر إرشادات التركيب قبل توصيل النظام إلى مصدر للطاقة

주의!

시스템을 전원에 연결하기 전에 설치 안내를 읽어주십시오.

Waarschuwing

Raadpleeg de installatie-instructies voordat u het systeem op de voedingsbron aansluit.

Circuit Breaker



Warning!

This product relies on the building's installation for short-circuit (overcurrent) protection. Ensure that the protective device is rated not greater than: 250 V, 20 A.

サーキット・ブレーカー

この製品は、短絡(過電流)保護装置がある建物での設置を前提としています。

保護装置の定格が60V、20Aを超えないことを確認下さい。

警告

此产品的短路(过载电流)保护由建筑物的供电系统提供,确保短路保护设备的额定电流不大于600V,20A。

警告

此产品的短路(过载电流)保护由建筑物的供电系统提供,确保短路保护设备的额定电流不大于60V,20A。

Warnung

Dieses Produkt ist darauf angewiesen, dass im Gebäude ein Kurzschluss- bzw. Überstromschutz installiert ist. Stellen Sie sicher, dass der Nennwert der Schutzvorrichtung nicht mehr als: 60V, 20A beträgt.

¡Advertencia!

Este equipo utiliza el sistema de protección contra cortocircuitos (o sobrecorrientes) del edificio. Asegúrese de que el dispositivo de protección no sea superior a: 60V, 20A.

Attention

Pour ce qui est de la protection contre les courts-circuits (surtension), ce produit dépend de l'installation électrique du local. Vérifiez que le courant nominal du dispositif de protection n'est pas supérieur à :60V, 20A.

**קצר זה עשוי להשתמש במערכת הגנה נגד קצר וסכנת חשמל. יש לוודא כי
הכשיר הזה יעבוד רק עם מערכת הגנה הנכונה. היא לא צריכה להיות 60V, 20A.**

هذا المنتج يعتمد على معدات الحماية من الدوائر القصيرة التي تم تثبيتها في
المبنى

경고!

이 제품은 전원의 단락(과전류)방지에 대해서 전적으로 건물의 관련 설비에 의존합니다. 보호장치의 정격이 반드시 60V(볼트), 20A(암페어)를 초과하지 않도록 해야 합니다.

Waarschuwing

Dit product is afhankelijk van de kortsluitbeveiliging (overspanning) van uw elektrische installatie. Controleer of het beveiligde apparaat niet groter gedimensioneerd is dan 60V, 20A.

Power Disconnection Warning



Warning!

The system must be disconnected from all sources of power and the power cord removed from the power supply module(s) before accessing the chassis interior to install or remove system components.

電源切斷の警告

システムコンポーネントの取り付けまたは取り外しのために、シャーシ内部にアクセスするには、

システムの電源はすべてのソースから切斷され、電源コードは電源モジュールから取り外す必要があります。

警告

在你打开机箱并安装或移除内部器件前，必须将系统完全断电，并移除电源线。

警告

在您打開機殼安裝或移除內部元件前，必須將系統完全斷電，並移除電源線。

Warnung

Das System muss von allen Quellen der Energie und vom Netzanschlusskabel getrennt sein, das von den Spg.Versorgungsteilmodulen entfernt wird, bevor es auf den Chassisinnenraum zurückgreift, um Systemsbestandteile anzubringen oder zu entfernen.

¡Advertencia!

El sistema debe ser disconnected de todas las fuentes de energía y del cable eléctrico quitado de los módulos de fuente de alimentación antes de tener acceso el interior del chasis para instalar o para quitar componentes de sistema.

Attention

Le système doit être débranché de toutes les sources de puissance ainsi que de son cordon d'alimentation secteur avant d'accéder à l'intérieur du châssis pour installer ou enlever des composants de système.

אזהרה!

יש לנתק את המערכת מכל מקורות החשמל ויש להסיר את כבל החשמלי מהספק לפני גישה לחלק הפנימי של המארז לצורך התקנת או הסרת רכיבים.

يجب فصل النظام من جميع مصادر الطاقة وإزالة سلك الكهرباء من وحدة امداد الطاقة قبل الوصول إلى المناطق الداخلية للهيكल لتثبيت أو إزالة مكونات الجهاز

경고!

시스템에 부품들을 장착하거나 제거하기 위해서는 새시 내부에 접근하기 전에 반드시 전원 공급장치로부터 연결되어있는 모든 전원과 전기코드를 분리해주어야 합니다.

Waarschuwing

Voordat u toegang neemt tot het binnenwerk van de behuizing voor het installeren of verwijderen van systeem onderdelen, dient u alle spanningsbronnen en alle stroomkabels aangesloten op de voeding(en) van de behuizing te verwijderen

Equipment Installation



Warning!

Only trained and qualified personnel should be allowed to install, replace, or service this equipment.

機器の設置

トレーニングを受け認定された人だけがこの装置の設置、交換、またはサービスを許可されています。

警告

只有经过培训且具有资格的人员才能进行此设备的安装、更换和维修。

警告

只有經過受訓且具資格人員才可安裝、更換與維修此設備。

Warnung

Das Installieren, Ersetzen oder Bedienen dieser Ausrüstung sollte nur geschultem, qualifiziertem Personal gestattet werden.

¡Advertencia!

Solamente el personal calificado debe instalar, reemplazar o utilizar este equipo.

Attention

Il est vivement recommandé de confier l'installation, le remplacement et la maintenance de ces équipements à des personnels qualifiés et expérimentés.

אזהרה!

צוות מוסמך בלבד רשאי להתקין, להחליף את הציוד או לתת שירות עבור הציוד.

يجب أن يسمح فقط للموظفين المؤهلين والمدربين لتثبيت واستبدال أو خدمة هذا الجهاز

경고!

훈련을 받고 공인된 기술자만이 이 장비의 설치, 교체 또는 서비스를 수행할 수 있습니다.

Waarschuwing

Deze apparatuur mag alleen worden geïnstalleerd, vervangen of hersteld door geschoold en gekwalificeerd personeel.

Restricted Area



Warning!

This unit is intended for installation in restricted access areas. A restricted access area can be accessed only through the use of a special tool, lock and key, or other means of security. (This warning does not apply to workstations).

アクセス制限区域

このユニットは、アクセス制限区域に設置されることを想定しています。

アクセス制限区域は、特別なツール、鍵と錠前、その他のセキュリティの手段を用いてのみ出入りが可能です。

警告

此部件应安装在限制进出的场所，限制进出的场所指只能通过使用特殊工具、锁和钥匙或其它安全手段进出的场所。

警告

此裝置僅限安裝於進出管制區域，進出管制區域係指僅能以特殊工具、鎖頭及鑰匙或其他安全方式才能進入的區域。

Warnung

Diese Einheit ist zur Installation in Bereichen mit beschränktem Zutritt vorgesehen. Der Zutritt zu derartigen Bereichen ist nur mit einem Spezialwerkzeug, Schloss und Schlüssel oder einer sonstigen Sicherheitsvorkehrung möglich.

¡Advertencia!

Esta unidad ha sido diseñada para instalación en áreas de acceso restringido. Sólo puede obtenerse acceso a una de estas áreas mediante la utilización de una herramienta especial, cerradura con llave u otro medio de seguridad.

Attention

Cet appareil doit être installée dans des zones d'accès réservés. L'accès à une zone d'accès réservé n'est possible qu'en utilisant un outil spécial, un mécanisme de verrouillage et une clé, ou tout autre moyen de sécurité.

אזור עם גישה מוגבלת

אזהרה!

יש להתקין את היחידה באזורים שיש בהם הגבלת גישה. הגישה ניתנת בעזרת כלי אבטחה בלבד (מפתח, מנעול וכד').

تم تخصيص هذه الوحدة لت تركيبها في مناطق محظورة . يمكن الوصول إلى منطقة محظورة فقط من خلال استخدام أداة خاصة، قفل ومفتاح أو أي وسيلة أخرى للالأمان

경고!

이 장치는 접근이 제한된 구역에 설치하도록 되어 있습니다. 특수도구, 잠금 장치 및 키, 또는 기타 보안 수단을 통해서만 접근 제한 구역에 들어갈 수 있습니다.

Waarschuwing

Dit apparaat is bedoeld voor installatie in gebieden met een beperkte toegang. Toegang tot dergelijke gebieden kunnen alleen verkregen worden door gebruik te maken van speciaal gereedschap, slot en sleutel of andere veiligheidsmaatregelen.

Battery Handling



Warning!

There is the danger of explosion if the battery is replaced incorrectly. Replace the battery only with the same or equivalent type recommended by the manufacturer. Dispose of used batteries according to the manufacturer's instructions

電池の取り扱い

電池交換が正しく行われなかった場合、破裂の危険性があります。交換する電池はメーカーが推奨する型、または同等のものを使用下さい。使用済電池は製造元の指示に従って処分して下さい。

警告

電池更換不當會有爆炸危險。請只使用同類電池或製造商推薦的功能相當的電池更換原有電池。請按製造商的說明處理廢舊電池。

警告

電池更換不當會有爆炸危險。請使用製造商建議之相同或功能相當的電池更換原有電池。請按照製造商的說明指示處理廢棄舊電池。

Warnung

Bei Einsetzen einer falschen Batterie besteht Explosionsgefahr. Ersetzen Sie die Batterie nur durch den gleichen oder vom Hersteller empfohlenen Batterietyp. Entsorgen Sie die benutzten Batterien nach den Anweisungen des Herstellers.

Attention

Danger d'explosion si la pile n'est pas remplacée correctement. Ne la remplacer que par une pile de type semblable ou équivalent, recommandée par le fabricant. Jeter les piles usagées conformément aux instructions du fabricant.

¡Advertencia!

Existe peligro de explosión si la batería se reemplaza de manera incorrecta. Reemplazar la batería exclusivamente con el mismo tipo o el equivalente recomendado por el fabricante. Desechar las baterías gastadas según las instrucciones del fabricante.

אזהרה!

קיימת סכנת פיצוץ של הסוללה במידה והוחלפה בדרך לא תקינה. יש להחליף את הסוללה בסוג התואם מחברת יצרן מומלצת.

סילוק הסוללות המשומשות יש לבצע לפי הוראות היצרן.

هناك خطر من انفجار في حالة استبدال البطارية بطريقة غير صحيحة فعليك استبدال البطارية فقط بنفس النوع أو ما يعادلها كما أوصت به الشركة المصنعة تخلص من البطاريات المستعملة وفقا لتعليمات الشركة الصانعة

경고!

배터리가 올바르게 교체되지 않으면 폭발의 위험이 있습니다. 기존 배터리와 동일하거나 제조사에서 권장하는 동등한 종류의 배터리로만 교체해야 합니다. 제조사의 안내에 따라 사용된 배터리를 처리하여 주십시오.

Waarschuwing

Er is ontploffingsgevaar indien de batterij verkeerd vervangen wordt. Vervang de batterij slechts met hetzelfde of een equivalent type die door de fabrikant aanbevolen wordt. Gebruikte batterijen dienen overeenkomstig fabrieksvoorschriften afgevoerd te worden.

Redundant Power Supplies



Warning!

This unit might have more than one power supply connection. All connections must be removed to de-energize the unit.

冗長電源装置

このユニットは複数の電源装置が接続されている場合があります。
ユニットの電源を切るためには、すべての接続を取り外さなければなりません。

警告

此部件连接的电源可能不止一个，必须将所有电源断开才能停止给该部件供电。

警告

此装置连接的電源可能不只一個，必須切斷所有電源才能停止對該裝置的供電。

Warnung

Dieses Gerät kann mehr als eine Stromzufuhr haben. Um sicherzustellen, dass der Einheit kein Strom zugeführt wird, müssen alle Verbindungen entfernt werden.

¡Advertencia!

Puede que esta unidad tenga más de una conexión para fuentes de alimentación. Para cortar por completo el suministro de energía, deben desconectarse todas las conexiones.

Attention

Cette unité peut avoir plus d'une connexion d'alimentation. Pour supprimer toute tension et tout courant électrique de l'unité, toutes les connexions d'alimentation doivent être débranchées.

אם קיים יותר מספק אחד

אזהרה!

ליחידה יש יותר מחיבור אחד של ספק. יש להסיר את כל החיבורים על מנת לרוקן את היחידה.

قد يكون لهذا الجهاز عدة اتصالات بوحدات امداد الطاقة.
يجب إزالة كافة الاتصالات لعزل الوحدة عن الكهرباء

경고!

이 장치에는 한 개 이상의 전원 공급 단자가 연결되어 있을 수 있습니다. 이 장치에 전원을 차단하기 위해서는 모든 연결 단자를 제거해야만 합니다.

Waarschuwing

Deze eenheid kan meer dan één stroomtoevoeraansluiting bevatten. Alle aansluitingen dienen verwijderd te worden om het apparaat stroomloos te maken.

Backplane Voltage



Warning!

Hazardous voltage or energy is present on the backplane when the system is operating. Use caution when servicing.

バックプレーンの電圧

システムの稼働中は危険な電圧または電力が、バックプレーン上にかかっています。

修理する際にはご注意ください。

警告

当系統正在进行时，背板上有很危险的电压或能量，进行维修时务必小心。

警告

當系統正在進行時，背板上有危險的電壓或能量，進行維修時務必小心。

Warnung

Wenn das System in Betrieb ist, treten auf der Rückwandplatine gefährliche Spannungen oder Energien auf. Vorsicht bei der Wartung.

¡Advertencia!

Cuando el sistema está en funcionamiento, el voltaje del plano trasero es peligroso. Tenga cuidado cuando lo revise.

Attention

Lorsque le système est en fonctionnement, des tensions électriques circulent sur le fond de panier. Prendre des précautions lors de la maintenance.

מתח בפנל האחורי

אזהרה!
קיימת סכנת מתח בפנל האחורי בזמן תפעול המערכת. יש להיזהר במהלך העבודה.

هناك خطر من التيار الكهربائي أو الطاقة الموجودة على اللوحة
عندما يكون النظام يعمل كن حذرا عند خدمة هذا الجهاز

경고!

시스템이 동작 중일 때 후면판 (Backplane)에는 위험한 전압이나 에너지가 발생
합니다. 서비스 작업 시 주의하십시오.

Waarschuwing

Een gevaarlijke spanning of energie is aanwezig op de backplane wanneer het
systeem in gebruik is. Voorzichtigheid is geboden tijdens het onderhoud.

Comply with Local and National Electrical Codes



Warning!

Installation of the equipment must comply with local and national electrical codes.

地方および国の電気規格に準拠

機器の取り付けはその地方および国の電気規格に準拠する必要があります。

警告

设备安装必须符合本地与本国电气法规。

警告

設備安裝必須符合本地與本國電氣法規。

Warnung

Die Installation der Geräte muss den Sicherheitsstandards entsprechen.

¡Advertencia!

La instalación del equipo debe cumplir con las normas de electricidad locales y
nacionales.

Attention

L'équipement doit être installé conformément aux normes électriques nationales et locales.

תיאום חוקי החשמל הארצי

אזהרה!

התקנת הציוד חייבת להיות תואמת לחוקי החשמל המקומיים והארציים.

تركيب المعدات الكهربائية يجب أن يمتثل للقوانين المحلية والوطنية المتعلقة بالكهرباء

경고!

현 지역 및 국가의 전기 규정에 따라 장비를 설치해야 합니다.

Waarschuwing

Bij installatie van de apparatuur moet worden voldaan aan de lokale en nationale elektriciteitsvoorschriften.

Product Disposal



Warning!

Ultimate disposal of this product should be handled according to all national laws and regulations.

製品の廃棄

この製品を廃棄処分する場合、国の関係する全ての法律・条例に従い処理する必要があります。

警告

本产品的废弃处理应根据所有国家的法律和规章进行。

警告

本產品的廢棄處理應根據所有國家的法律和規章進行。

Warnung

Die Entsorgung dieses Produkts sollte gemäß allen Bestimmungen und Gesetzen des Landes erfolgen.

¡Advertencia!

Al deshacerse por completo de este producto debe seguir todas las leyes y reglamentos nacionales.

Attention

La mise au rebut ou le recyclage de ce produit sont généralement soumis à des lois et/ou directives de respect de l'environnement. Renseignez-vous auprès de l'organisme compétent.

סילוק המוצר

אזהרה!

סילוק סופי של מוצר זה חייב להיות בהתאם להנחיות וחוקי המדינה.

عند التخلص النهائي من هذا المنتج ينبغي التعامل معه وفقا لجميع القوانين واللوائح الوطنية

경고!

이 제품은 해당 국가의 관련 법규 및 규정에 따라 폐기되어야 합니다.

Waarschuwing

De uiteindelijke verwijdering van dit product dient te geschieden in overeenstemming met alle nationale wetten en reglementen.

Hot Swap Fan Warning



Warning!

The fans might still be turning when you remove the fan assembly from the chassis. Keep fingers, screwdrivers, and other objects away from the openings in the fan assembly's housing.

ファン・ホットスワップの警告

シャーシから冷却ファン装置を取り外した際、ファンがまだ回転している可能性があります。ファンの開口部に、指、ドライバー、およびその他のものを近づけないで下さい。

警告

当您从机架移除风扇装置，风扇可能仍在转动。小心不要将手指、螺丝起子和其他物品太靠近风扇

警告

當您從機架移除風扇裝置，風扇可能仍在轉動。小心不要將手指、螺絲起子和其他物品太靠近風扇。

Warnung

Die Lüfter drehen sich u. U. noch, wenn die Lüfterbaugruppe aus dem Chassis genommen wird. Halten Sie Finger, Schraubendreher und andere Gegenstände von den Öffnungen des Lüftergehäuses entfernt.

¡Advertencia!

Los ventiladores podran dar vuelta cuando usted quite el montaje del ventilador del chasis. Mantenga los dedos, los destornilladores y todos los objetos lejos de las aberturas del ventilador

Attention

Il est possible que les ventilateurs soient toujours en rotation lorsque vous retirez le bloc ventilateur du châssis. Prenez garde à ce que doigts, tournevis et autres objets soient éloignés du logement du bloc ventilateur.

אזהרה!

כאשר מסירים את חלקי המאוורר מהמארז, יתכן והמאווררים עדיין עובדים. יש להרחיק למרחק בטוח את האצבעות וכלי עבודה שונים מהפתחים בתוך המאוורר

من الممكن أن المراوح لا تزال تدور عند إزالة كتلة المروحة من الهيكل يجب إبقاء الأصابع ومفكات البراغي وغيرها من الأشياء بعيدا عن الفتحات في كتلة المروحة.

경고!

새시로부터 팬 조립품을 제거할 때 팬은 여전히 회전하고 있을 수 있습니다. 팬 조립품 외관의 열려있는 부분들로부터 손가락 및 스크류드라이버, 다른 물체들이 가까이 하지 않도록 배치해 주십시오.

Waarschuwing

Het is mogelijk dat de ventilator nog draait tijdens het verwijderen van het ventilatorsamenstel uit het chassis. Houd uw vingers, schroevendraaiers en eventuele andere voorwerpen uit de buurt van de openingen in de ventilatorbehuizing.

DC Power Supply



Warning!

When stranded wiring is required, use approved wiring terminations, such as closedloop or spade-type with upturned lugs. These terminations should be the appropriate size for the wires and should clamp both the insulation and conductor.

警告

より線が必要な場合、承認済みのケーブル終端(上向きの端子を備えたクローズループ型またはU字型の終端など)を使用してください。使用するワイヤーに適したサイズで、絶縁体および導体が両方ともクランプされている終端でなければなりません。

警告

需要多股佈線時、請使用經核准的佈線終端，例如閉環或鑷型接線片。這些終端的大小應適合線路，並且可以同時夾住絕緣體和導體。

警告

需要使用绞线连接时，请使用经认可的连接端子，如闭环端子或具有接线柱的铲形端子。这些端子的大小应与线缆相吻合，并且可以将绝缘部分和导体夹紧固定。

Warnung

Wenn Litzenverdrahtung erforderlich ist, sind zugelassene Verdrahtungsabschlüsse, z.B. für einen geschlossenen Regelkreis oder gabelförmig, mit nach oben gerichteten Kabelschuhen zu verwenden. Diese Abschlüsse sollten die angemessene Größe für die Drähte haben und sowohl die Isolierung als auch den Leiter festklemmen.

¡Advertencia!

Quando se necesite hilo trenzado, utilizar terminales para cables homologados, tales como las de tipo "bucle cerrado" o "espada", con las lengüetas de conexión vueltas hacia arriba. Estos terminales deberán ser del tamaño apropiado para los cables que se utilicen, y tendrán que sujetar tanto el aislante como el conductor.

Attention

Quand des fils torsadés sont nécessaires, utiliser des douilles terminales homologuées telles que celles à circuit fermé ou du type à plage ouverte avec cosses rebroussées. Ces douilles terminales doivent être de la taille qui convient aux fils et doivent être refermées sur la gaine isolante et sur le conducteur.

תקנון הצהרות אזהרה

הצהרות הבאות הן אזהרות על פי תקני התעשייה, על מנת להזהיר את המשתמש מפני חבלה פיזית אפשרית. במידה ויש שאלות או היתקלות בבעיה כלשהי, יש ליצור קשר עם מחלקת תמיכה טכנית של סופרמיקרו. טכנאים מוסמכים בלבד רשאים להתקין או להגדיר את הרכיבים.

יש לקרוא את הנספח במלואו לפני התקנת או הגדרת הרכיבים במארזי סופרמיקרו.

تحذير

كإل سأل ما دختس او ، لبس ل مهب تعطقت ني ذل كإل سأل ابولطم نو كي امدن ع
عونل ةي قي قح ل اء اء س أب اء اء ش أل و أ قق ل غم ة قق ل ح ل شم ، اء اء ل ع قق ف او م ل اء اء ن
كإل سأل ل بس اء م ل اء م ج ح ل اء نو كي تاء اء ن إ ل ه ذل ي غ ب ن ي و . ة ب و ل ق م ت اور ع ل ا عم
ل ص و م و ل ز ع ل ا نم لك ح ب ك ب ج ي و

주의!

꼬인 배선이 요구 될 때에는 폐회로나 돌출부가 위로 튀어 나온 Spade 형태의 승인된 배선 터미네이션들을 사용하세요.

이 터미네이션들은 배선들을 위해 적절한 크기여야 하고, 절연체와 도체 모두를 고정시킬 수 있어야 합니다.

Waarschuwing

Wanneer geslagen bedrading vereist is, dient u bedrading te gebruiken die voorzien is van goedgekeurde aansluitingspunten, zoals het gesloten-lus type of het grijperschop type waarbij de aansluitpunten omhoog wijzen. Deze aansluitpunten dienen de juiste maat voor de draden te hebben en dienen zowel de isolatie als de geleider vast te klemmen.

DC Power Disconnection



Warning!

Before performing any of the following procedures, ensure that power is removed from the DC circuit.

警告

次の手順を開始する前に、DC回路から電源が切斷されていることを確認してください。

警告

進行以下任一操作程序前，請確保直流電路已斷電。

警告

请在进行以下任一操作程序前，确保直流电路的电源已经断开。

Warnung

Vor Ausführung der folgenden Vorgänge ist sicherzustellen, daß die Gleichstromschaltung keinen Strom erhält.

¡Advertencia!

Antes de proceder con los siguientes pasos, comprobar que la alimentación del circuito de corriente continua (CC) esté cortada (OFF).

Attention

Avant de pratiquer l'une quelconque des procédures ci-dessous, vérifier que le circuit en courant continu n'est plus sous tension.

אזהרה !
לפני ביצוע אחת הפעולות הבאות, ודא כי אספקת החשמל למעגל הזרם הישר DC הינה מנותקת.

تعليل

عاهن كالكالسل امداختسو ،لبسل مهب تعطقت نيذلا كالكالسل ابولطم نوئي امذن عم عونلا قيقيقيل اهل اهل اهل اهل او ققل غم ققل لشم ،اهيلع ققفاوملا بجلي و كالكالسل بس انملا م جحلا نوئي تاعاهن الا هذهل يغبننيو . قبقولقم تاورعلا لصولمو لزعلال نم لك حبك

주의!

다음 절차를 수행하기 전에, 전원이 DC 회로로부터 제거되었는지를 확인해 주십시오.

Waarschuwing

Wanneer geslagen bedrading vereist is, dient u bedrading te gebruiken die voorzien is van goedgekeurde aansluitingspunten, zoals het gesloten-lus type of het grijperschop type waarbij de aansluitpunten omhoog wijzen. Deze aansluitpunten dienen de juiste maat voor de draden te hebben en dienen zowel de isolatie als de geleider vast te klemmen.

Hazardous Voltage or Energy Present on DC Power Terminals



Warning!

Hazardous voltage or energy may be present on DC power terminals. Always replace cover when terminals are not in service. Be sure uninsulated conductors are not accessible when cover is in place.

警告

直接電力端子に危険な電圧やエネルギーが発生している可能性があります。使用していない端子には常にカバーをつけてください。カバーがついているときは非絶縁形コンダクターに接触していないことを確認してください。

警告

直流電源終端可能產生危險的電壓或能量。終端不使用時，請務必蓋上機蓋。當蓋上機蓋，確認不絕緣導體無法使用。

警告

直流电源终端可能会产生危险的电压或能量。终端不使用时，请务必盖上机盖。机盖盖上后，请确保导体未绝缘部分无法使用。

Warnung

In mit Gleichstrom betriebenen Terminals kann es zu gefährlicher Spannung kommen. Die Terminals müssen abgedeckt werden, wenn sie nicht in Betrieb sind. Stellen Sie bei Benutzung der Abdeckung sicher, dass alle nicht isolierten, stromführenden Kabel abgedeckt sind.

¡Advertencia!

Puede haber energía o voltaje peligrosos en los terminales eléctricos de CC. Reemplace siempre la cubierta cuando no estén utilizándose los terminales. Asegúrese de que no haya acceso a conductores descubiertos cuando la cubierta esté colocada.

Attention

Le voltage ou l'énergie électrique des terminaux à courant continu peuvent être dangereux. Veuillez à toujours replacer le couvercle lors les terminaux ne sont pas en service. Assurez-vous que les conducteurs non isolés ne sont pas accessibles lorsque le couvercle est en place.

אזהרה!

מקור מתח מסוכן עלול להיות נוכח על הקטבים של זרם ה-DC. החלף תמיד את המכסה כאשר הקטבים לא בשימוש. ודא כי המוליכים הלא מבודדים אינם נגישים כאשר המכסה נמצא במקומו.

تحذير

لادبتسا. ةمصاعلا ةقلاطلا تااطحم ىلع ةدوجوم نوكت ةقلاطلا وأ ةرطخلا دهجلا دق ريغ تالصولا هيف لكش ال امم. ةمدخلا يف تسيل تااطحلا امدنع امئاد اعاطغ هنالكم يف اعاطغلا امدنع اهيل لوصولا نلكمي ال لوزعم.

주의!

DC전원 단자들에 위험한 전압이나 에너지가 발생할 수 있습니다.

단말기들을 운영하지 않을 때에는 덮개로 다시 덮어 놓아 주십시오. 덮개가 제자리에 있어야만 절연되지 않은 도체들의 접근을 막을 수 있습니다.

Waarschuwing

Op DC-aansluitingspunten kunnen zich gevaarlijke voltages of energieën voordoen. Plaats altijd de afsluiting wanneer de aansluitingspunten niet worden gebruikt. Zorg ervoor dat blootliggende contactpunten niet toegankelijk zijn wanneer de afsluiting is geplaatst.

Chapter 3

System Interface

3-1 Overview

There are several LEDs on the control panel as well as others on the drive carriers to keep you constantly informed of the overall status of the system as well as the activity and health of specific components. Most SC733 models have two buttons on the chassis control panel: a reset button and a power on/off switch. This chapter explains the meanings of all LED indicators and the appropriate response you may need to take.

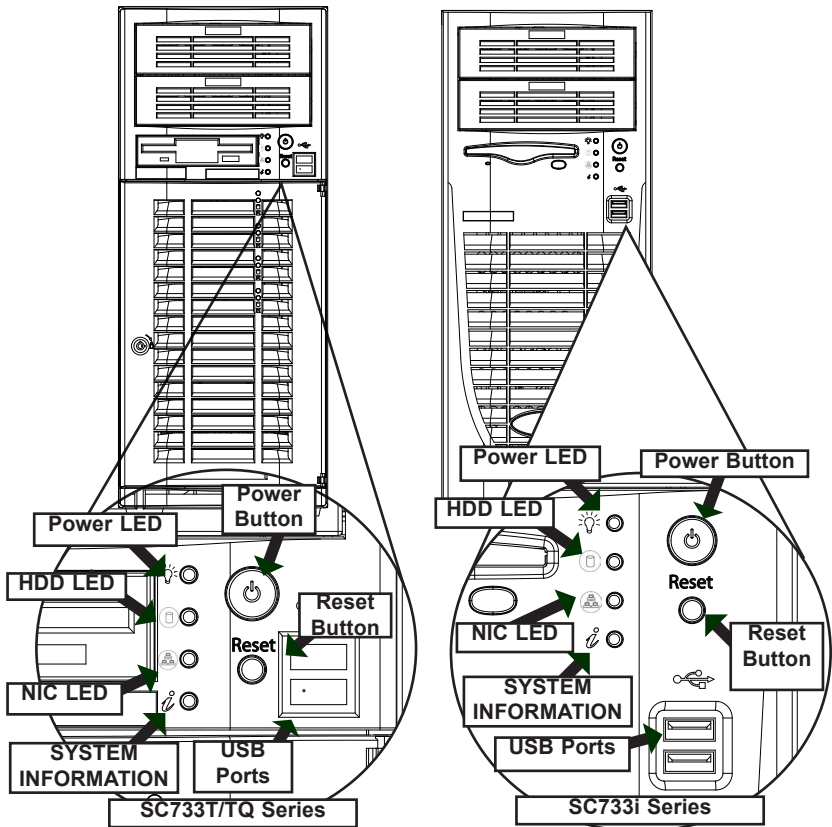
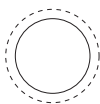


Figure 3-1: Front Chassis Panels

3-2 Control Panel Buttons

There are two push-buttons located on the front of the chassis. These are a reset button and a power on/off button.



Reset: The reset button is used to reboot the system.



Power: The main power switch is used to apply or remove power from the power supply to the server system. Turning off system power with this button removes the main power but keeps standby power supplied to the system. Therefore, you must unplug system before servicing.

3-3 Control Panel LEDs

The control panel located on the front of the SC733 chassis has five LEDs. These LEDs provide you with critical information related to different parts of the system. This section explains what each LED indicates when illuminated and any corrective action you may need to take.



Power: Indicates power is being supplied to the system's power supply units. This LED should normally be illuminated when the system is operating.



HDD: Indicates IDE channel activity. SAS/SATA drive and/or DVD-ROM drive activity when flashing.



NIC1: Indicates network activity on GLAN1 when flashing.



Informational LED

Informational LED	
Status	Description
Solid red	An overheat condition has occurred. (This may be caused by cable congestion).
Blinking red (1Hz)	Fan failure, check for an inoperative fan.
Blinking red (0.25Hz)	Power failure, check for a non-operational power supply.
Solid blue	Local UID has been activated. Use this function to locate the server in a rack mount environment.
Blinking blue (300 msec)	Remote UID is on. Use this function to identify the server from a remote location.

Notes

Chapter 4

Chassis Setup and Maintenance

4-1 Overview

This chapter covers the steps required to install components and perform maintenance on the chassis. The only tool you will need to install components and perform maintenance is a Phillips screwdriver. Print this chapter to use as a reference while setting up your chassis.

Review the warnings and precautions listed in the manual before setting up or servicing this chassis. These include information in Chapter 2: Standardized Warning Statements for AC/DC Systems, and the warning/precautions listed in the setup instructions.

4-2 Removing the Chassis Cover

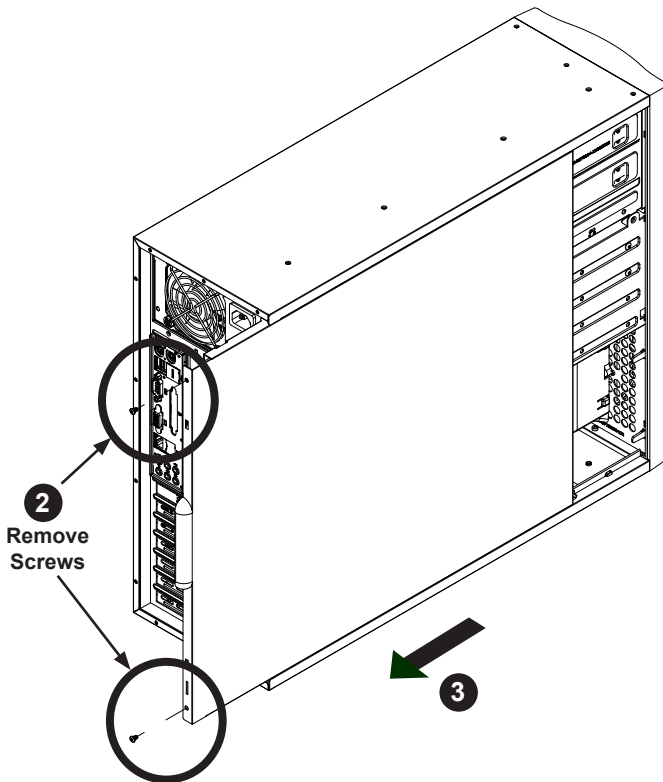


Figure 4-1: Removing the Chassis Cover

Removing the Chassis Cover:

1. Power down the system and remove the power cord from the rear of the power supply.
2. On the rear of the chassis, remove the two screws holding the cover in place.
3. Slide the cover back, toward the rear of the chassis
4. Lift the cover off the chassis.

Warning: Except for short periods of time, do NOT operate the server without the cover in place. The chassis cover must be in place to allow proper airflow and prevent overheating.

4-3 Installing Hard Drives in the SC733i Model Chassis

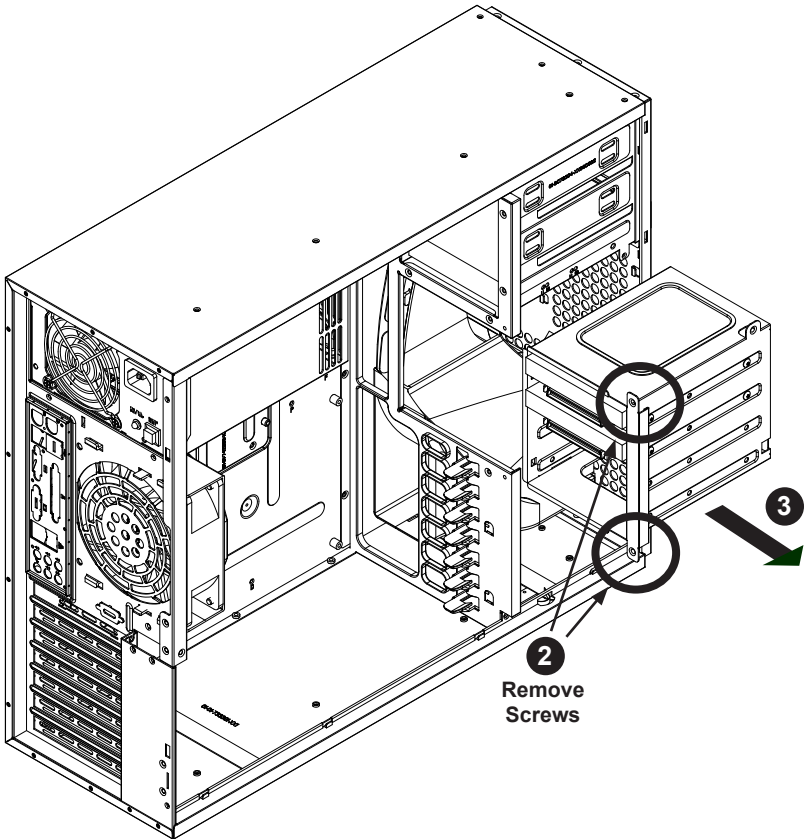


Figure 4-2: Removing the Hard Drive Module

The SC733i chassis must be powered-down before hard drives can be removed from the hard drive carriers.

Replacing Hard Drives in the SC733i Chassis

1. Power down the system, remove the power cord from the rear of the power supply and open the chassis cover as described in section 4-2.
2. Remove the two screws securing the hard drive module to the chassis.
3. Gently slide the hard drive module out of the chassis.

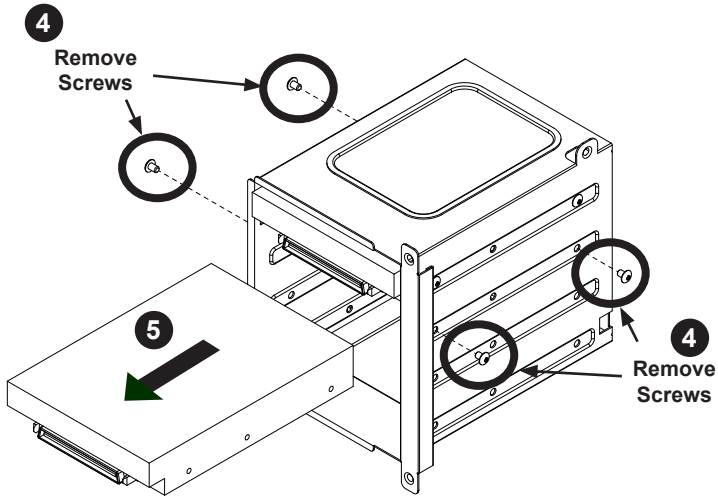


Figure 4-3: Removing Drives from the SC733i Hard Drive Module

4. Remove the four screws securing each of the hard drives.
5. Slide the drive (or dummy drive) out of the hard drive module.
6. Insert the replacement drive into the hard drive module.
7. Slide the hard drive module back into the chassis.
8. Connect the wiring to the back of the hard drive.

4-4 Installing Hard Drives in the SC733T and SC733TQ

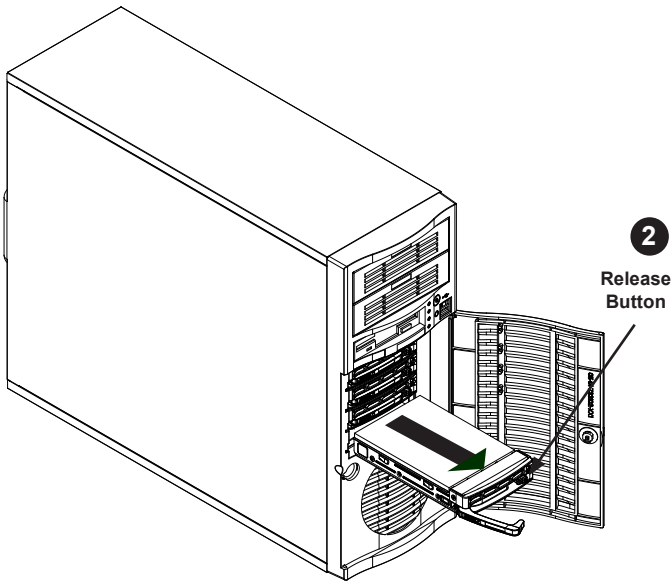


Figure 4-4: Removing the Hard Drive Carrier from the Chassis

The SC733T and SC733TQ models feature hot-swappable hard drives, which permit the exchange of hard drives, without powering down the system

Removing Hard Drive Carriers in the SC733T and SC733TQ Chassis

1. Unlock the front bezel panel of the chassis and swing the panel to the right to open it as shown above.
2. Press the release button on the front of the drive carrier. This will release the drive carrier handle.
3. Using the drive carrier handle, gently pull the drive carrier out of the chassis.

Warning! Enterprise level hard disk drives are recommended for use in Supermicro chassis and servers. For information on recommended HDDs, visit the Supermicro web site at <http://www.supermicro.com>.

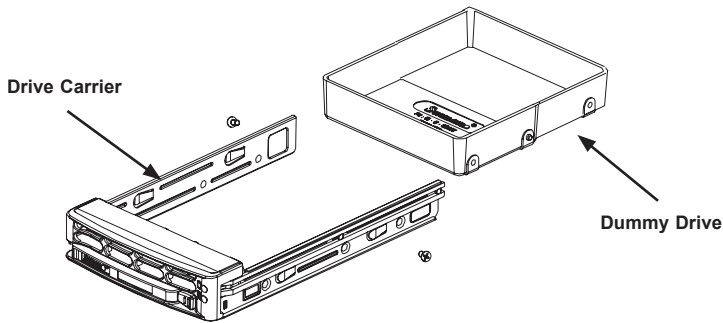


Figure 4-5: Chassis Drive Carrier

The drives are mounted in drive trays to simplify their installation and removal from the chassis. These trays also help promote proper airflow for the drive bays.

Warning: Except for short periods of time (swapping hard drives), do not operate the server with the chassis drive bays empty.

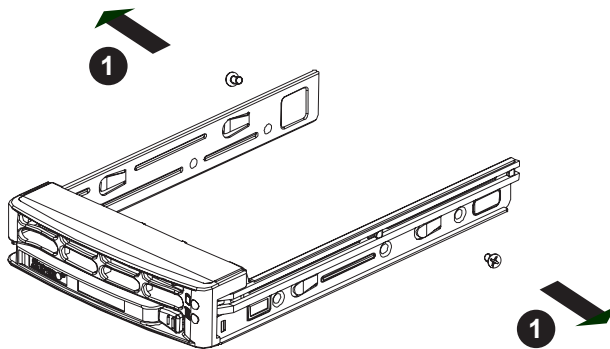


Figure 4-6: Removing Dummy Drive from the Drive Carrier

Installing the Hard Drive into the SC733T and SC733TQ Hard Drive Carriers

1. Remove the two screws securing the dummy drive to the drive carrier and remove the dummy drive. Place the hard drive carrier on a flat surface such as a desk, table or work bench.

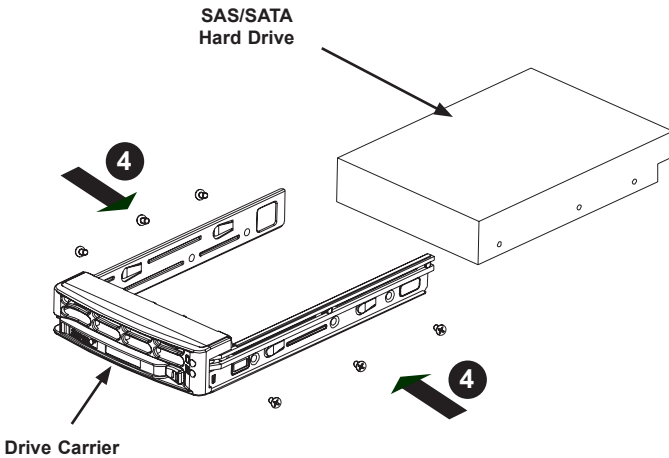


Figure 4-7: Removing Hard Drive

2. Slide the hard drive into the carrier with the printed circuit board side facing down.
3. Carefully align the mounting holes in both the drive carrier and the hard drive.
4. Secure the hard drive to the carrier using six screws.
5. Replace the drive carrier into the chassis. Make sure to close the drive carrier handle to lock the drive carrier into place.

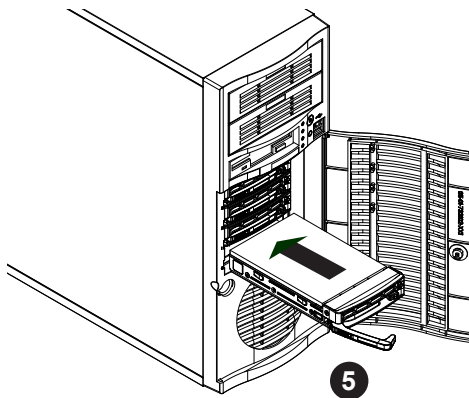


Figure 4-8: Replacing Hard Drive in the SC733T and SC733TQ Chassis

4-5 Installing a Peripheral Drive

SC733 chassis models have peripheral drive bays, in which an optional drive may be installed. This may be a DVD-ROM, DVD-RW or other device. In the unlikely event that it becomes necessary to replace a peripheral drive, use the following procedure.

Adding or Replacing a Peripheral Drive

1. Power down the system, remove the power cord from the rear of the power supply and open the chassis cover as described in section 4-2.
2. Unplug the power and data cables from the motherboard and/or backplane.
3. **If you are adding a new peripheral drive:** Remove the mini-bezel (grate) from the drive bay. The bezel can be removed by pulling it forward.
4. Push the new drive unit into the slot, until the tab locks into place.
5. Reconnect the data and power cables.
6. Replace the chassis cover, reconnect the power source and power up the system.

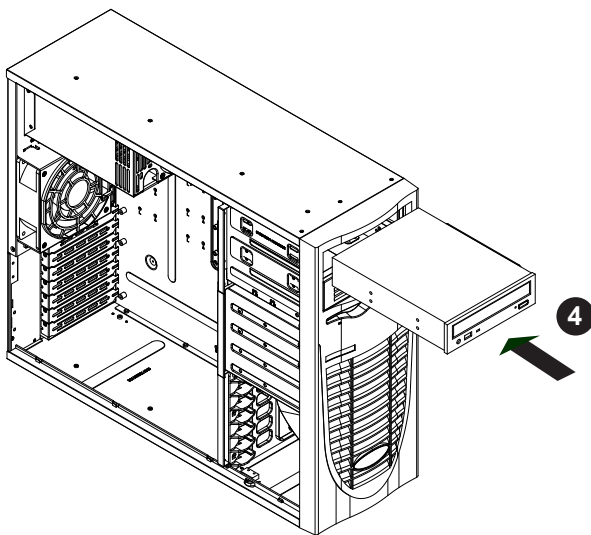


Figure 4-9: Installing the Peripheral Drive

4-6 Installing the Motherboard, I/O Shield and Standoffs

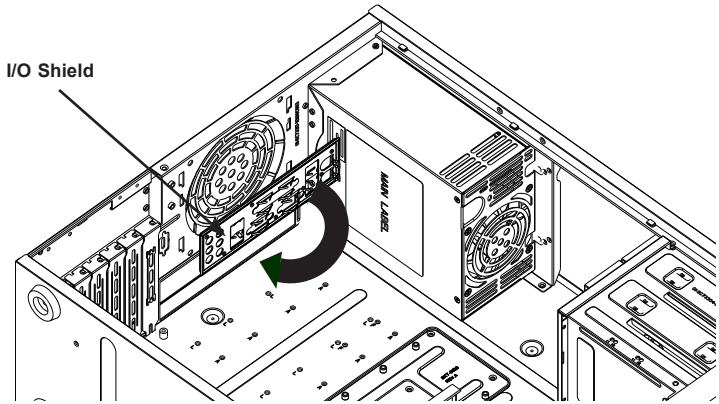


Figure 4-10: I/O Shield Placement

I/O Shield

An I/O shield holds the motherboard ports in place. Install the I/O shield before you install the motherboard. Motherboards are sold separately from SC733 chassis. I/O shields are specific to the motherboard and are included with the motherboard.

Installing the I/O shield:

1. Review the documentation that came with your motherboard. Become familiar with component placement, requirements, and precautions.
2. Power down the system, remove the power cord from the rear of the power supply and open the chassis cover as described in section 4-2.
3. With the illustrations facing the outside of the chassis, place the shield into the space provided.
4. Once installed, the motherboard will hold the I/O shield in place.

Permanent and Optional Standoffs

Standoffs prevent short circuits by securing space between the motherboard and the chassis surface. The SC733 chassis includes permanent standoffs in locations used by most motherboards. These standoffs accept the rounded Phillips head screws included in the SC733 accessories packaging.

Some motherboards require additional screws. Optional standoffs are included for these motherboards. To use an optional standoff, place the hexagonal screw through the bottom the chassis and secure the screw it with the rounded side up. Note that motherboards are purchased separately from the chassis.

Motherboard Installation

Installing the Motherboard:

1. Review the documentation that came with your motherboard. Become familiar with component placement, requirements, precautions, and cable connections.
2. Power down the system, remove the power cord from the rear of the power supply and open the chassis cover as described in section 4-2.
3. Compare the holes in motherboard to those in the chassis, then add or remove standoffs as needed. To do this:
 - A. Place a hexagonal standoff screw through the bottom the chassis.
 - B. Secure the screw with the rounded side up.
4. Lay the motherboard on the chassis aligning the permanent and optional standoffs
5. Secure the motherboard to the chassis using the rounded, Phillips head screws. Do not exceed eight pounds of torque when securing the motherboard.
6. Secure the CPU(s), heatsinks, and other components to the motherboard as described in the motherboard documentation.
7. Connect the cables between the motherboard, backplane, chassis, front panel, and power supply, as needed. Also, the fans may be temporarily removed to allow access to the backplane ports.

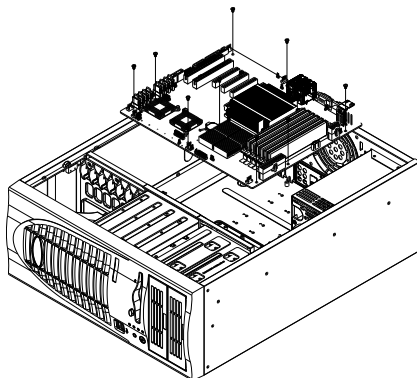


Figure 4-11: Installing the Motherboard

4-7 Installing Expansion Cards

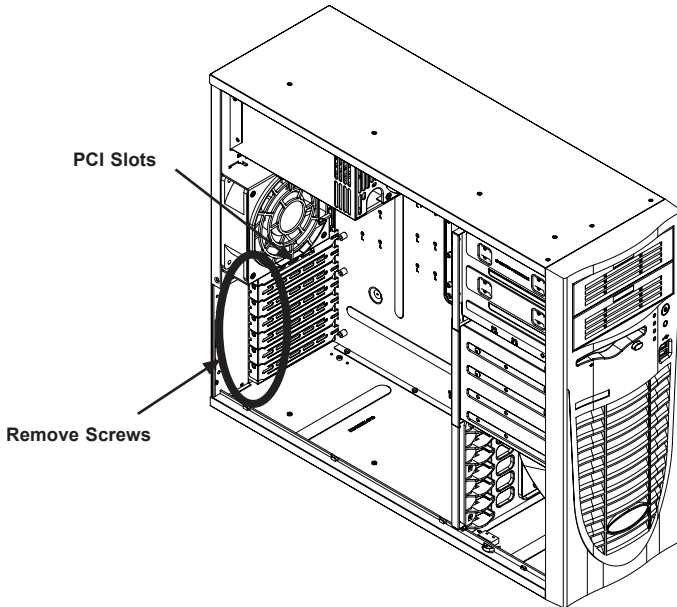


Figure 4-12: Installing Expansion Cards

PCI Slot Setup

SC733 chassis includes seven PCI slots for expansion cards.

Installing Expansion Cards

1. Disconnect the power supply, set the chassis on a flat surface, and open the chassis cover.
2. Remove the screws holding the cover in place for each add-on/expansion card slot you want to use. Keep this screw for later use.
3. Connect the add-on cards and/or expansion cards to the motherboard.
4. Secure each card to the chassis using the card's L-bracket and the screw previously removed.

4-8 Removing the Fan Duct and System Fan

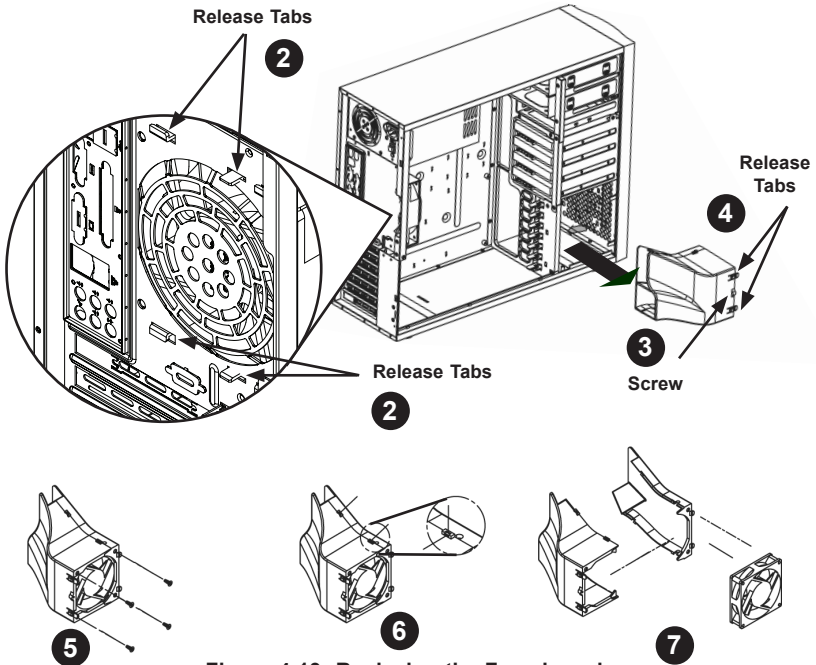


Figure 4-13: Replacing the Fan shroud

The fan duct concentrates airflow to maximize fan efficiency.

Removing the Fan Duct and System Fan

1. Disconnect the chassis from any power source.
2. Release the clips that secure the fan duct to the chassis.
3. Remove the screw securing the fan duct to the chassis.
4. Press down the release tabs on the fan duct as shown and pull the fan duct out from its location in the chassis.
5. Remove the four screws at the front of the fan duct that hold the fan in place. Then release the two fasteners along the side of the fan duct.
6. Separate the fan duct into two pieces remove the fan
7. Add a new fan of the same type.

4-9 Checking the Server's Airflow

Checking the Server's Air flow

1. Make sure there are no objects to obstruct airflow in and out of the server.
2. Do not operate the server without drives or drive trays in the drive bays. Use only recommended server parts.
3. Make sure no wires or foreign objects obstruct air flow through the chassis. Pull all excess cabling out of the airflow path or use shorter cables.

The control panel LEDs inform you of system status. See "Chapter 3: System Interface" for details on the LEDs and the control panel buttons.

In most cases, the chassis power supply and fans are pre-installed. If you need to install fans continue to the Systems Fan section of this chapter.

4-10 Power Supply

Depending on your chassis model the SC733 Chassis has a 465, 500 or 665 Watt power supply. This power supply is auto-switching capable. This enables it to automatically sense and operate at a 100v to 240v input voltage. An amber light will be illuminated on the power supply when the power is off. An illuminated green light indicates that the power supply is operating.

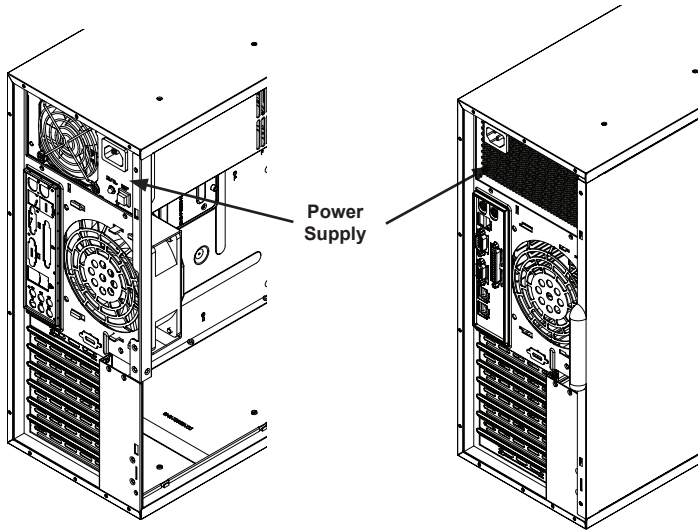


Figure 4-14: Removing the Power Supply

Changing the Power Supply

1. Disconnect the chassis from any power source.
2. Remove the screws securing the power supply to the chassis, which are located on the rear of the chassis.
3. Pull the power supply out of the chassis.
4. Change the failed power module with the same model.
5. Push the new power supply module into the power bay.
6. Plug the AC power cord back into the module and power up the server.

Appendix A

Cables, Screws, and other Accessories

A-1 Overview

This appendix lists supported cables for your chassis system. It only includes the most commonly used components and configurations. For more compatible cables, refer to the manufacturer of the motherboard you are using and our Web site at: www.supermicro.com.

A-2 Cables Included with SC733 Chassis

SC733TQ-665(B)			
Part #	Type	Length	Description
CBL-0049L	Cable	21"	Front panel cable, 16 pin to 16 pin
CBL-0084	Cable	6"	Split converter cable

SC733TQ-465(B), SC733T-465(B), SC733i-465B			
Part #	Type	Length	Description
CBL-0049L	Cable	21"	Front panel cable, 16 pin to 16 pin
CBL-0084	Cable	6"	Split converter cable

A-3 Compatible Cables

These cables are compatible with the SC733 Chassis.

Alternate SAS/SATA Cables

Some compatible motherboards have different connectors. If your motherboard has only one SAS connector that the SAS/SATA cables must share, use one of the following cables. These cables must be purchased separately.

Cable Name: SAS Cable

Quantity: 1

Part #: CBL-0175L

Alt. Name: "Big Four"

Description: This cable has one SFF-8484 32-pin connector on one end and four SAS connectors with seven pins each at the other. This cable connects from the host motherboard or other controller to the backplane SAS hard drive port.

Cable Name: SAS Cable

Quantity: 1

Part #: CBL-0116L

Alt. Name: iPass or "Small Four"

Description: This cable has one iPass (SFF-8087/Mini-SAS) connector (36-pin) at one end and four SAS connectors on one end. This cable connects from the host motherboard or other controller to the backplane SAS hard drive port.

Extending Power Cables

Although Supermicro chassis are designed with to be efficient and cost-effective, some compatible motherboards have power connectors located in different areas.

To use these motherboards you may have to extend the power cables to the motherboards. To do this, use the following chart as a guide.

Power Cable Extenders		
Number of Pins	Cable Part #	Length
24-pin	CBL-0042L	7.9"(20 CM)
20-pin	CBL-0059L	7.9"(20 CM)
8-pin	CBL-0062L	7.9"(20 CM)
4-pin	CBL-0060L	7.9"(20 CM)

Front Panel to the Motherboard

The SC733 chassis includes a cable to connect the chassis front panel to the motherboard. If your motherboard uses a different connector, use split cable CBL-0084.

A-4 Chassis Screws

The accessory box includes all the screws needed to set up your chassis. This section lists and describes the most common screws used. Your chassis may not require all the parts listed.

M/B



Pan head
6-32 x 5 mm
[0.197]

HARD DRIVE



Flat head
6-32 x 5 mm
[0.197]

DVD-ROM, CD-ROM, and FLOPPY DRIVE



Pan head
6-32 x 5 mm
[0.197]



Flat head
6-32 x 5 mm
[0.197]



Round head
M3 x 5 mm
[0.197]



Round head
M2.6 x 5 mm
[0.197]

RAIL



Flat head
M4 x 4 mm
[0.157]



Round head
M4 x 4 mm
[0.157]



Flat head
M5 x 12 mm [0.472]
Washer for M5



M/B STANDOFFS



M/B standoff
6-32 to 6-32



M/B (CPU)
standoff
M5 to 6-32



Thumb screw
6-32 x 5 mm
[0.197]



1/U M/B standoff
6-32 x 5 mm
[0.197]

Appendix B

SC733 Power Supply Specifications

This appendix lists power supply specifications for your chassis system.

SC733			
	665W	500W	465W
MFR Part #	PWS-665-PQ	PWS-502-PQ	PWS-465-PQ
Rated AC Voltage	100 - 240V, 50 - 60HZ, 10 - 5 Amp	100 - 240V, 50-60Hz, 7-3.5 Amp	100 - 240V 50 - 60Hz 6 - 3 Amp
DC Output	N/A	N/A	N/A
+5V standby	6 Amp	3 Amp	3 Amp
+12V	54 Amp	---	35 Amp
+5V	30 Amp	20 Amp	20 Amp
+3.3V	24 Amp	15 Amp	15 Amp
-12V	0.5 Amp	0.5 Amp	0.5 Amp
+12V1	---	17 Amp	---
+12V2	---	17 Amp	---
+12V3	---	17 Amp	---
+12V4	---	18 Amp	---

Notes

Appendix C

SAS-733TQ Backplane Specifications

Safety Information and Technical Specifications

C-1 Safety Guidelines

To avoid personal injury and property damage, please carefully follow all the safety steps listed below when accessing your system or handling the components:

ESD Safety Guidelines

Electrostatic Discharge (ESD) can damage electronic components. To prevent damage to your system, it is important to handle it very carefully. The following measures are generally sufficient to protect your equipment from ESD.

- Use a grounded wrist strap designed to prevent static discharge.
- Touch a grounded metal object before removing a component from the antistatic bag.
- Handle the backplane by its edges only; do not touch its components, peripheral chips, memory modules or gold contacts.
- When handling chips or modules, avoid touching their pins.
- Put the card and peripherals back into their antistatic bags when not in use.

General Safety Guidelines

- Always disconnect power cables before installing or removing any components from the computer, including the SAS-733TQ backplane.
- Disconnect the power cable before installing or removing any cable from the SAS-733TQ backplane.
- Make sure that the SAS-733TQ backplane is securely and properly installed on the motherboard to prevent damage to the system due to power shortage.

C-2 An Important Note to the User

All images and layouts shown in this user's guide are based upon the latest PCB Revision available at the time of publishing. The card you've received may or may not look exactly the same as the graphics shown in this manual.

C-3 Introduction to the SAS-733TQ Backplane

The SAS-733TQ backplane has been designed to utilize the most up-to-date technology available, providing your system with reliable, high-quality performance.

This manual reflects SAS-733TQ Revision 3.00, the most current release available at the time of publication. Always refer to the Supermicro Web site at www.supermicro.com for the latest updates, compatible parts and supported configurations.

Overview

The SAS-733TQ backplane is a highly efficient, highly compatible and easy to use SES-2 backplane that offers the most advanced functionality provided by the Serial Attached/Serial Link Industry in a slim package. With the built-in AMI MG 9071 chip, the SAS733TQ Backplane allows the user to configure RAID 0, RAID 1 and RAID 5, maximizing data storage capability and data transferring reliability. Additionally, the SAS733TQ supports SATA up to 6Gbps and SAS up to 6Gbps with *SES-2 (SCSI Enclosure Services-2) capabilities, providing complete Serial Attached Services and Serial Link Solutions to the market. (*Refer to the section below.)

Backplane Features

The SAS-733TQ Backplane supports the following features when it is installed on a motherboard that has an onboard SAS controller:

1. Compatible with SATA drives
2. Supporting SAS drives with a transfer rate of 6Gbps
3. Supporting I²C Interface to communicate with SAS/SATA Host Bus Adaptors (HBA)
4. Minimizing the need for cables and connectors, uncluttering server space, and providing a trouble-free installation environment for the user

5. Supporting SES-2 (SCSI Enclosure Services-2) protocol, providing the following features:

- Drive activity and drive failure indication for each drive slot
- Overheat/drive failure alarm via a buzzer* installed on the backplane
- An overheat/drive failure LED Indicator built in
- Temperature monitoring via a 2 wire (I²C) temperature sensor in the MG 9071 chip

*The buzzer sound indicates that a condition requiring immediate attention has occurred.

The buzzer alarm is triggered by the following conditions:

- Hard drive failure
- Fan failure
- System temperature over 45° Celsius.

C-4 Jumper Settings and Pin Definitions

Front Jumper/Connector Locations

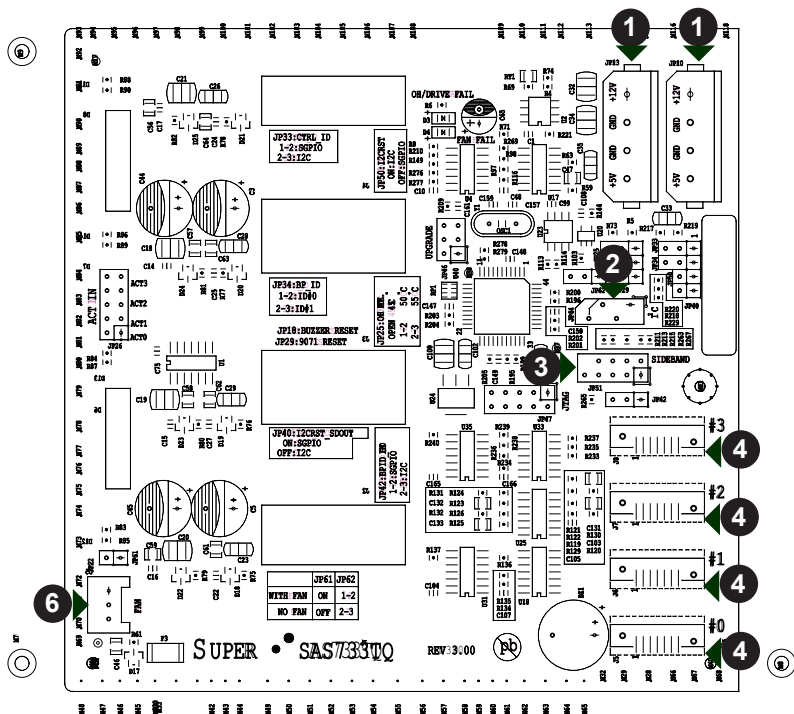


Figure C-1: SAS-733TQ Front View

Front Connectors

1. JP10/JP13: Backplane main power connectors
2. JP44: I²C connector
3. JP51: Sideband header
4. SAS 0-3 Connectors: SAS#0 (J5), SAS#1 (J6), SAS#2 (J7), SAS#3 (J8),
5. JP26: Activity LED header
6. JP22: Fan header

C-5 Front Connector Pin Definitions

Backplane Main Power Connectors (JP10, JP13) Pin Definitions

1. Sideband Header - JP51

You must use the 4-pin power connectors JP10 and JP13 to provide adequate power to the backplane. See the table on the right for pin definitions.

Backplane Main Power 4-Pin Connectors (JP10, JP13)

Pin #	Definition
1	+12V
2 and 3	Ground
4	+5V

2. Activity LED Header - JP26 Pin Definitions

The sideband header is designated JP51. For SAS-II to work properly, connect an 8-pin sideband cable to JP51 as shown on the right. .

Backplane Addressing { SB5	2	1	SB6 } Controller ID
Reset { SB4	4	3	SB2 } GND
GND { SB3	6	5	SB1 } SDA
Backplane ID { SB7	8	7	SB0 } SCL
No Connection	10	9	No Connection

Sideband Pin Definitions (JP51)

3. 3-pin Fan Header - JP22 Pin Definitions

The Activity LED header JP26 transmits signals to indicate the activity status of each SAS slot. For the Activity LED header to work properly, connect a 4-pin LED cable to Pin 1 to Pin 4 of JP26 as shown on the right. See the table on page C-6 for pin definitions.

Act In#0 {	1	6	SB6 } Controller ID
Reset { SB4	2	7	SB2 } GND
GND { SB3	3	8	SB1 } SDA
Backplane ID { SB7	4	9	SB0 } SCL
No Connection	5	X	No Connection

Note 1: "NC" = No connection

Note 2: Connect a 4-pin LED cable to Pin1 - Pin4 of JP26 only.

SAS Activity LED (JP26)

4. Front Overheat/Drive Failure LED Indicators - D3/D4

The 3-pin fan header is designated JP22. To prevent overheating, connect a 3-pin fan cable to JP22. See the table for pin definitions.

Note:

The fan header uses DC power.

Default: Fan disabled.

Pin Number	Definition
1	Ground (Black)
2	+12V (Red)
3	Tachometer

Caution: Fan headers are DC Powered

Fan Header Pin Definitions

5. Front Panel Jumper Settings and Pin Definitions

Front LED	State	Specification
D3	On	Overheat, drive failure or fan failure
D4	On	Fan failure only

6. Fan Enable/Disable

Jumper	Description	Definition
JP18	Open (Default)	Normal
	Closed	Buzzer reset
JP26	Open (Default)	Act #0 - 3 In
JP29	Open (Default)	Normal
	Closed	MG9071 reset
JP33	Pins 1-2	I ² C controller ID: SGPIO
	Pins 2-3 (Default)	I ² C controller ID I ² C
JP34	Pins 1-2 (Default)	I ² C backplane ID: ID#0
	Pins 2-3	I ² C backplane ID: ID#1
JP40	Closed	I ² C reset: SGPIO
	Open (Default)	I ² C reset I ² C
JP42	Pins 1-2	I ² C backplane ID: SGPIO
	Pins 2-3 (Default)	I ² C backplane ID: I ² C
JP50	Open	I ² C reset SGPIO
	Short (Default)	I ² C reset I ² C (On)

Fan	JP61	JP62
Fan Enabled	On	Pins 1-2
Fan Disabled	Off	Pins 2-3

C-6 Rear Connectors and LED Indicators

Rear connector and LED locations

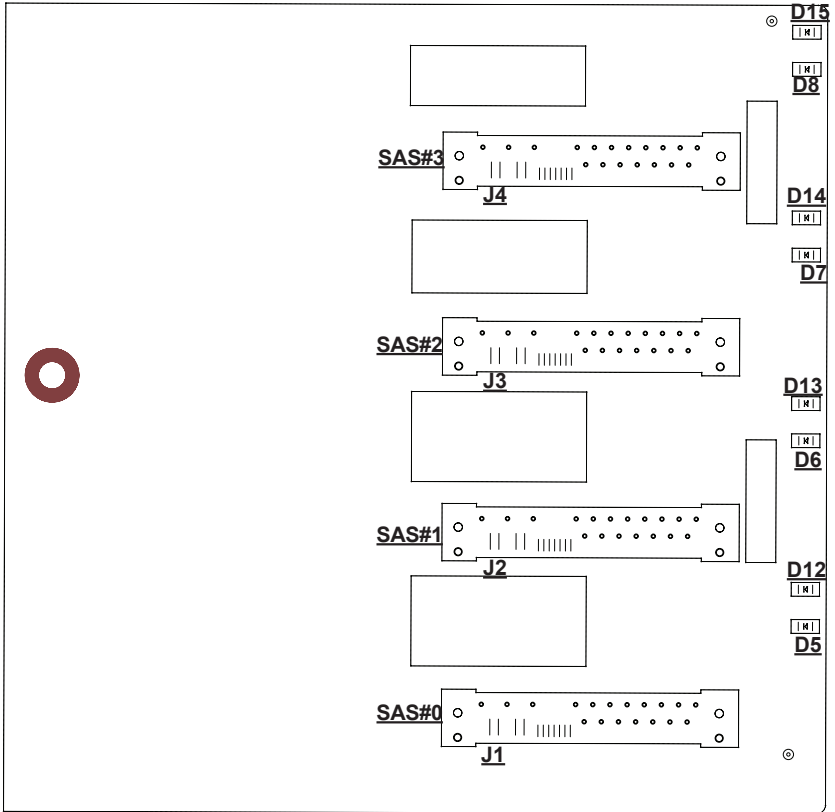


Figure C-2 - Rear View

Rear Connectors

Rear Connector	Specification
J1 (Rear)	SAS#0 HDD (Connected to HDD)
J2 (Rear)	SAS#1 HDD (Connected to HDD)
J3 (Rear)	SAS#2 HDD (Connected to HDD)
J4 (Rear)	SAS#3 HDD (Connected to HDD)

Rear Connectors and LED Indicators

Rear LED Indicators	Specification
D12 (Rear)	SAS#0 Activity LED
D13 (Rear)	SAS#1 Activity LED
D14 (Rear)	SAS#2 Activity LED
D15 (Rear)	SAS#3 Activity LED
D5 (Rear)	SAS#0 Fail LED
D6 (Rear)	SAS#1 Fail LED
D7 (Rear)	SAS#2 Fail LED
D8 (Rear)	SAS#3 Fail LED

Appendix D

SATA-733 Backplane Specifications

A-1 Overview

The SATA backplane supports four SATA drives. The SATA drive's LED connector on the SATA backplane is JP26. There are also two power connectors on the backplane, and both connectors should be connected. Do not cascade the SATA backplane. Refer to the following table for jumper settings.

Introduction to the SATA-733 Backplane

The SATA-733 backplane has been designed to utilize the most up-to-date technology available, providing your system with reliable, high-quality performance.

This manual reflects SATA-733 Revision 3.00, the most current release available at the time of publication. Always refer to the Supermicro Web site at www.supermicro.com for the latest updates, compatible parts and supported configurations.

Important! Use extreme caution when working around the Serial ATA (SATA) backplane. Do not touch the backplane with any metal objects and make sure that no ribbon cables touch the backplane or obstruct the airflow holes in the SATA backplane. All SATA drive carriers must remain in the drive bays to promote proper airflow.

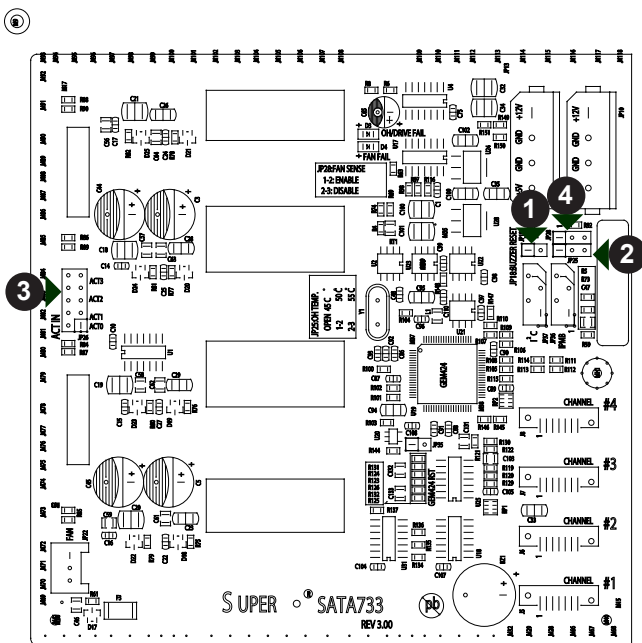


Figure D-1: SATA-733 Backplane

No.	Jumper	Description	Setting
1	JP18	Buzzer Reset*	Alarm Reset Header
2	JP25	Overheat Temperature	Open: 45°C Pins 1-2: 50° C (Default) Pins 2-3: 55° C
3	JP26	SATA Drive Activity	Drive Activity
4	JP28	Fan Sense	Pins 1-2: Enable Pins 2-3: Diable (Default)

*The buzzer sound indicates that a condition requiring immediate attention has occurred.

The buzzer alarm is triggered by the following conditions:

1. Hard drive failure
2. Fan failure
3. System temperature over 45° Celsius.

Notes

Disclaimer (cont.)

The products sold by Supermicro are not intended for and will not be used in life support systems, medical equipment, nuclear facilities or systems, aircraft, aircraft devices, aircraft/emergency communication devices or other critical systems whose failure to perform be reasonably expected to result in significant injury or loss of life or catastrophic property damage. Accordingly, Supermicro disclaims any and all liability, and should buyer use or sell such products for use in such ultra-hazardous applications, it does so entirely at its own risk. Furthermore, buyer agrees to fully indemnify, defend and hold Supermicro harmless for and against any and all claims, demands, actions, litigation, and proceedings of any kind arising out of or related to such ultra-hazardous use or sale.